

FACILITIES COMMITTEE

MEETING MINUTE SUMMARY

Date: July 06, 2016

Time: 9:00a.m. – 10:00 a.m.

Location: College Conference Room 10-106

PRESENT: Patrice Braswell-Bur, Randy Clark, Nicole Conklin, Ken Emmons, Christine Grisch, Jacqueline Hall, Loren Holmquist, Lisa Ledri-Aguliar, Lorenze Legaspi, Julie Middlemas, Michelle Miller, Genie Montoya, Vanessa Porras, Dave Steinmetz, and Natalie Yturalde.

ABSENT: Javier Ayala, Agustin Albarran, Randy Clark, Marsha Gable, Steve Garcia, Nallely Gecik, Beth Kelley, Michael Reese, Robin Sepulveda, Debbi Yaddow, and Katrina VanderWoude.

RECORDER: Stephanie Rodriguez

START TIME: 9:00 a.m.

OPENING INTRODUCTION AND SUMMARY BRIEFING:

The committee had an introduction of new members. The committee had no additional agenda items. The committee decided to review Beth Kelly's additional agenda items at the next full attendance meeting.

CONSTRUCTION PROJECTS UPDATES:**Bldg. 38s Middle College High School Remodel:**

This classroom space will receive (42) new replacement classroom desk chairs (solid smooth surface vinyl bottom and poly backrest). The classroom will also receive an accent painted wall. The classroom will be ready for fall classes.

Bldg.60 EOPS & Calworks Remodel:

The EOPS and Calworks department received approval to purchase all new furniture in their department. Ken Emmons has coordinated this project with Maria Delacruz. Both departments will be gaining additional work stations and overhead storage cabinets. EOPS and Calworks will need to purchase computers after remodel. This project is anticipated to start first weeks of August and be completed prior to the start of the new semester.

District Portable Trailer:

Northwest end of Parking lot 4 has been graded for the new District portable trailer. The trailer is currently being manufactured. This project is being coordinated by Gafcon.

Re-landscaping Projects:

Grossmont Grounds Department has been performing re-landscaping projects near the Perimeter road. The clean-up will help with the management of overgrowth, snakes and rodents. There are many areas on campus that need upgrades due to recent tree removal. The Re-landscaping Task Force will be meeting later in the month to review future projects.

Digital Arts natural pathway was re-landscaped due to the safety concern of foot traffic. The small space was re-landscaped to include cobble in order to promote sidewalk and ramp usage.

Bldg. Sodexo Patio:

The committee discussed the Sodexo Trailer near 500 complex. Sodexo's objective is to provide more healthy snacks and food. The food service contract was awarded to Sodexo for the next five years. The upgrade project phase I

includes the removal of the guide rails, fill in holes, reseal blacktop surface, stripping ADA and pathway, place 2 to 3 picnic tables under awning, place 4-5 picnic tables on patio area, install umbrellas at picnic table for dining area, install water misters, and install two landscape boxes. Phase II Sodexo would like the return of the clear glass roll-up doors to recreate a lounge area. Ken will return phase II to the committee to review the proposed over 15k project.

Bldg.25 Hyde Gallery Patio:

The patio area was in very poor condition and there were safety concerns due to the heaving concrete walkways and tree roots. The Grounds department will remove portions of the concrete walkways, grind lifted concrete where applicable, revise the irrigation system to a drip system, repair area drain inlets, create a natural drainage swale with cobble stones, remove of grass, install permeable decomposed granite ground cover, and install cobble stones around existing trees. This space is used for entertainment gatherings for Hyde Gallery. The project demolition starts today and completion within a week.

Bldg. 70 Tech. Mall – Furniture Upgrades:

The Tech Mall will be receiving 180 new computer station chairs with a poly backing and vinyl covered seating. The Tech. Mall is highly used area by students and the chairs are in poor condition. Many of the chairs that are in fair condition will be swapped out around campus and the others will go to surplus for auction. Ken requested the committee to inform him of any areas or departments in need of chairs.

Central Plant Chillers Upgrades:

Ken presented photos of the chillers. The demolition is anticipated to be completed in about a week. All temporary chillers are currently operating after the power shutdown. This project now has security due to theft of construction materials.

Buildings 30 & 37 World Maps:

The committee discussed a request from Earth Science Department to install (2) 8 feet long world maps inside 30-208 and on the exterior siding of Bldg.37. Ken recommends to include a UV and anti-graffiti covering. This will be temporary until the building is demolition.

REGULAR AGENDA ITEMS:

District Public Safety and Emergency Preparedness Council Meeting:

There was no June Safety meeting or update.

District Capital Projects Update June 2016 (handout and additional information):

District

Districtwide Energy Conservation Measures Year 3:

- These conservation projects are funded by Proposition V, Proposition 39 and SDG&E rebates. For this year's energy projects, LED lighting will be installed at Grossmont College including the LRC and Tech Mall at Cuyamaca College, LRC boiler and Building D heat pump will be replaced.

Cuyamaca College

Track Enhancement:

- The scope of work for this project includes resurfacing the existing running track, expanded event areas and adding new perimeter fencing. Also included is a modification to the existing irrigation and storm drainage systems. Consistent with the goals of the Facilities Master Plan, the project includes bioretention ponds to accommodate storm water run-off. Bioretention areas are shallow, landscaped depressions that allow run-off to pond in a designated area, and then filter through soil and vegetation. Construction is anticipated to begin in mid-August.

Ornamental Horticulture:

- Improvements will include classrooms, greenhouses, outdoor instructional spaces, storage buildings, and a retail area. Building L will receive some improvements to accommodate Water Management program. A schematic design underway with the overall design process to complete by December 2016.

Student Services Building:

- This project includes the construction of a Student Services facility with a Veteran Support Center. In line with the Facilities Master Plan, the Student Services Building will be the new gateway entry to Cuyamaca College. The project architect (HMC) has conducted meetings with Cuyamaca Student Services' stakeholders to discuss the vision of the building, project goals, and departmental functions, which will complete the programming phase.

Exercise Science Building D Renovation:

- This renovation project includes renovating the fitness center, providing an additional 50-seat classroom, reconfiguring the reception area, replacing flooring and equipment, new lockers, individual stalls. This project has been bid with construction anticipated to begin in July.

Grossmont College

Arts & Communication Complex – Teaching & Performance Theater:

- This project includes the construction of a new 34,870 square foot, 350 seat teaching, and performance theater. The theater project includes the new Hyde Art Gallery, Buildings 22 air conditioning removal. This project has been submitted to the Division of the State Architect (DSA) for approval.

12kv Main Service Replacement:

- This project includes a new 12kv dual circuit power extension and data loop to service the Arts and Communications Complex, Building 31, and the Main Chiller. In addition it includes new data, fire alarm, and security low-voltage conduits installed. Sections of the west side of Grossmont College Drive will be repaired and repaved. Construction is underway and anticipated to go through January 2017. The southwest perimeter road and parking lot 2 will be closed through mid-August. Update on Emergency Power Shutdown – correction to District wide email the contractor that hit the electrical powerline was inadvertently broken by the Central Plant contractor not the electrical contractor.

Science, Math, and Career Tech. Complex:

- This project includes the renovation of Building 31 and replacement of Building 36. Design is underway with the schematic design phase anticipated for completion by mid-July. As part of this phase, the design team is creating the conceptual layout, including common area locations, space configuration, and campus location. Once schematic design is complete, the project will move forward with design development. Construction is scheduled to begin during the winter of 2018.

District Sustainability Program:

Jacqueline Hall reported to the committee an update of following:

- The program has adjusted the HVAC system to meet summer schedule.
- Jacqueline will review the saving cost due to the emergency power temporary shutdown.
- EcoBee thermostats were installed in Bldg.50-590's office and provided by SDG&E. These thermostats can be reprogrammed online versus manual input. The average savings is 20 percent.
- August 17th Flex Week – Sustainability Seminar held at 2:00 pm in Building 34.
- Forthcoming projects are scheduling the HVAC system for Fall Classes, Lighting Retrofit Theater and Sculpture Bldgs.
- Ecobee Thermostats are pending approval from District IS to review Wifi hot spot access.

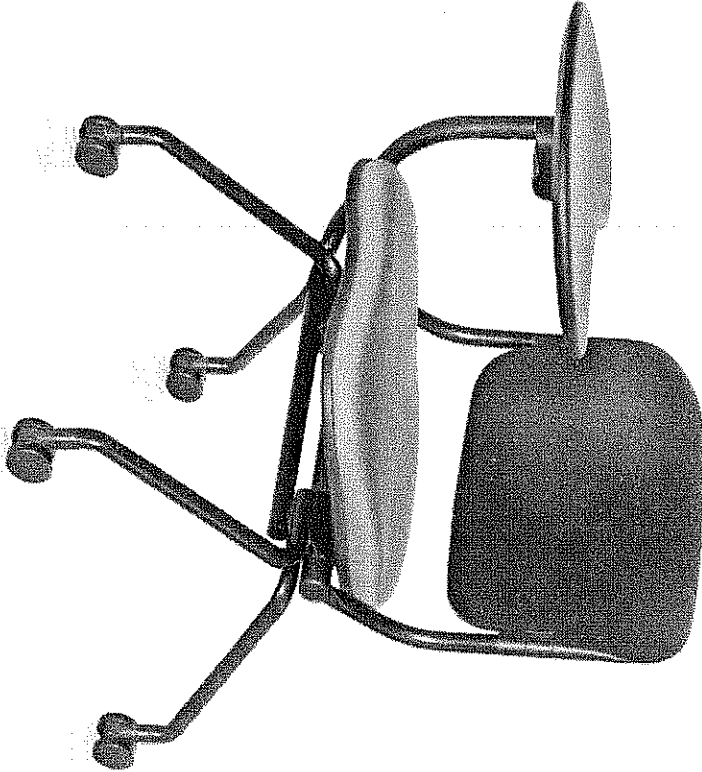
Meeting adjourned at 9:25 a.m.

Next meeting will be held on August 3, 2016 at 9:30 – 11:00 a.m. in Griffin Gate 60-180



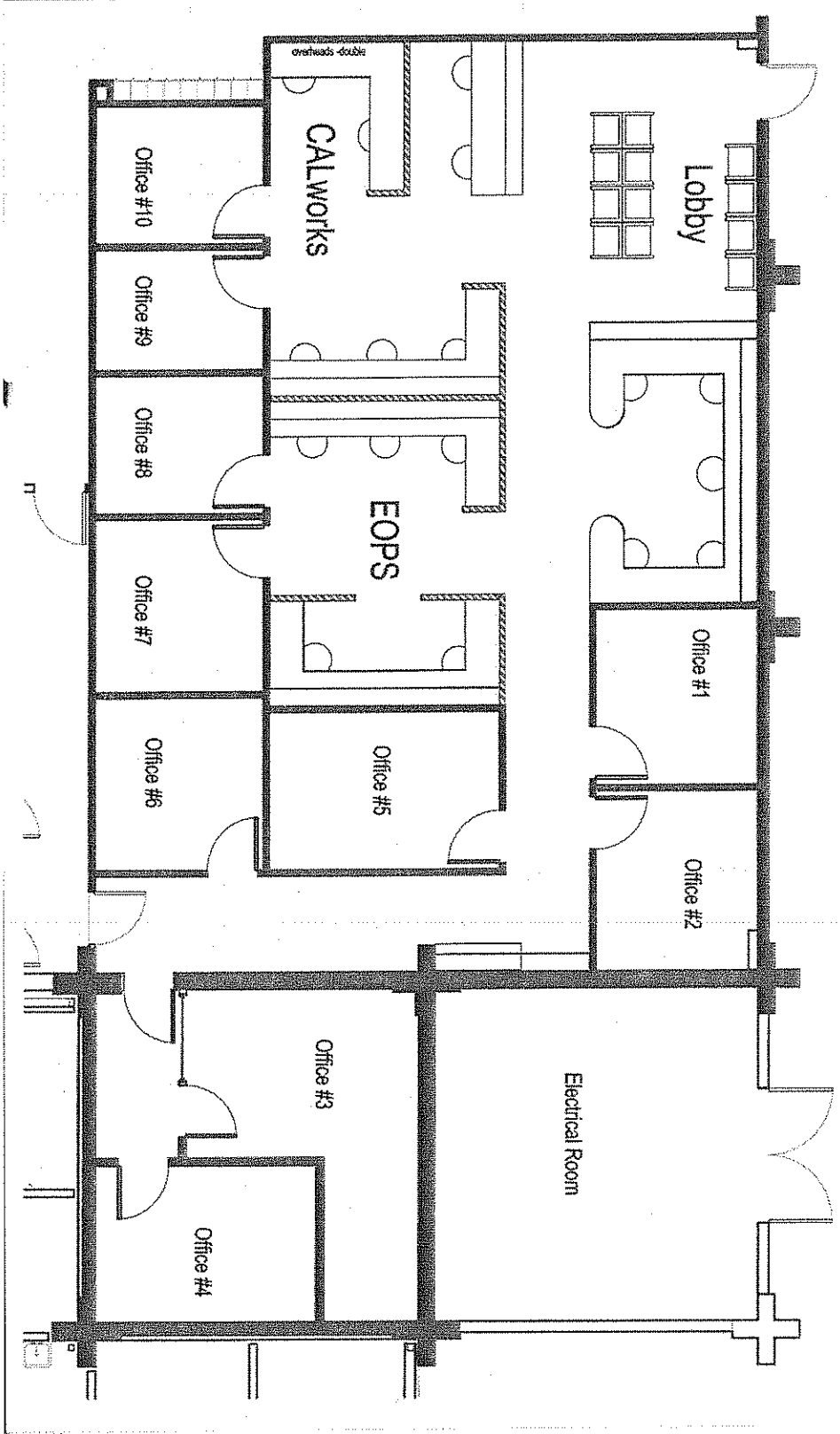
Middle College Classroom

Paint accent wall color
Replace 42 desk

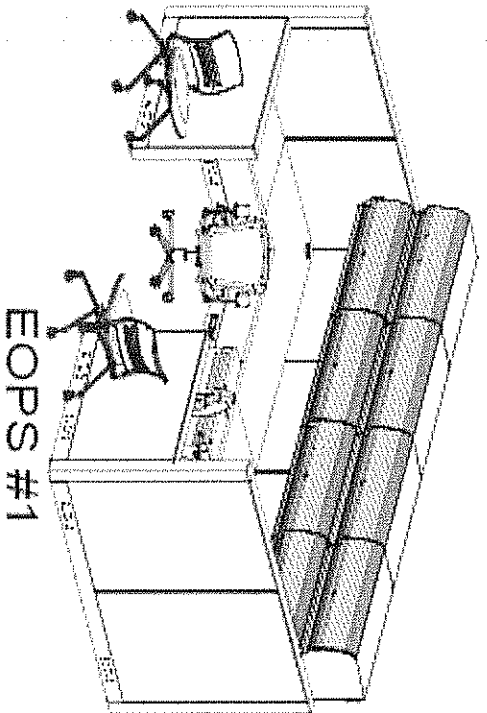
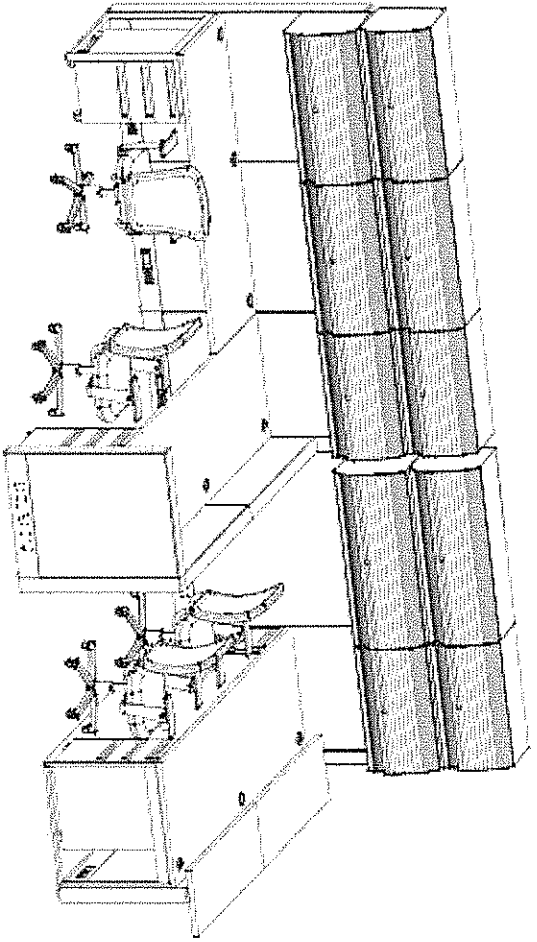


EOPS & CALworks Work Stations Upgrades

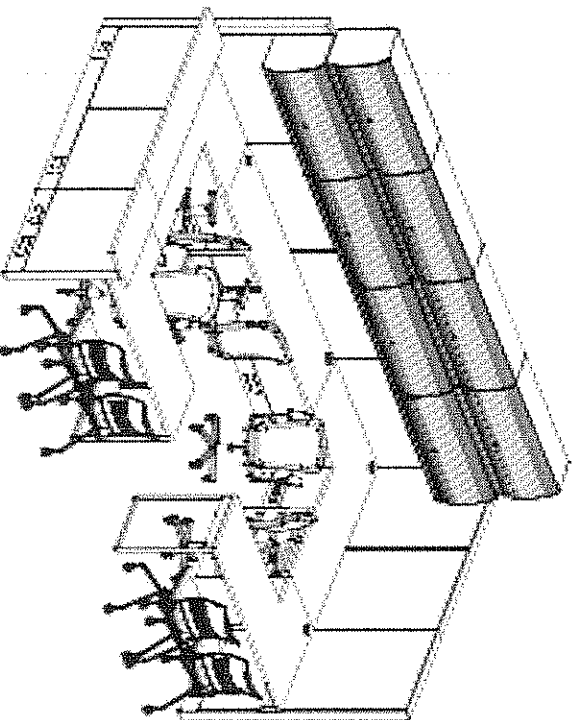
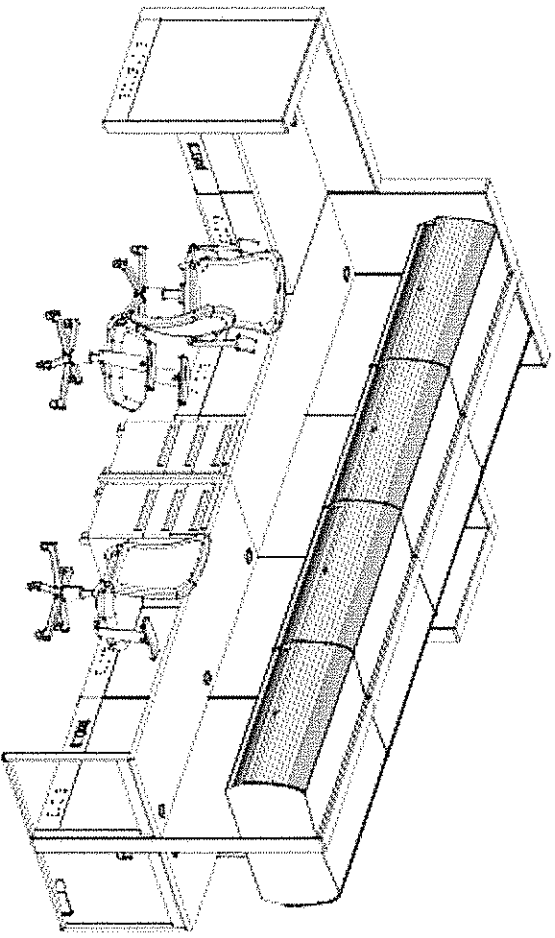
Replace existing work stations and add 4 to 6 new work stations with storage at each station



EOPS & CALworks Work Stations Upgrades

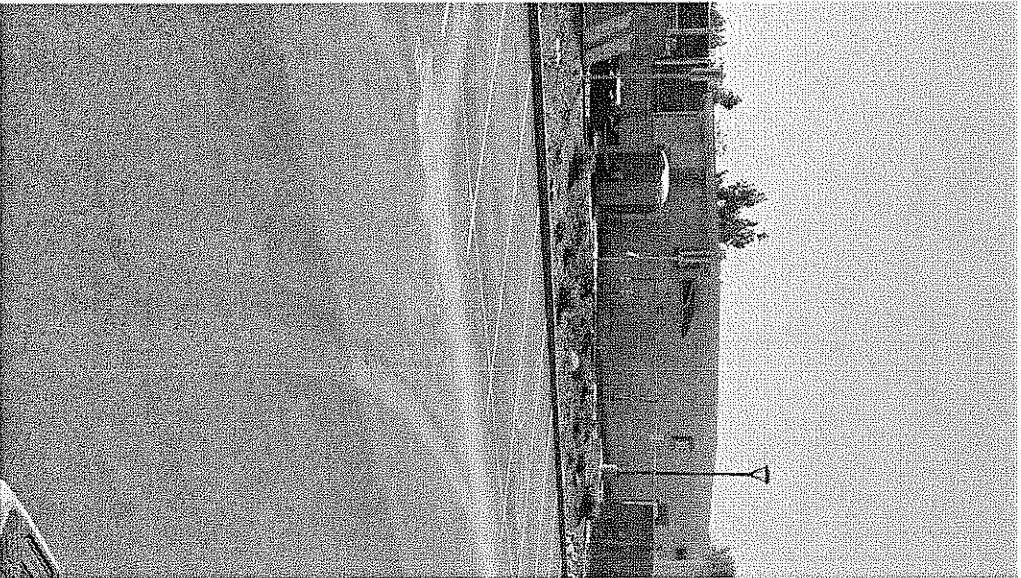


EOPS #1

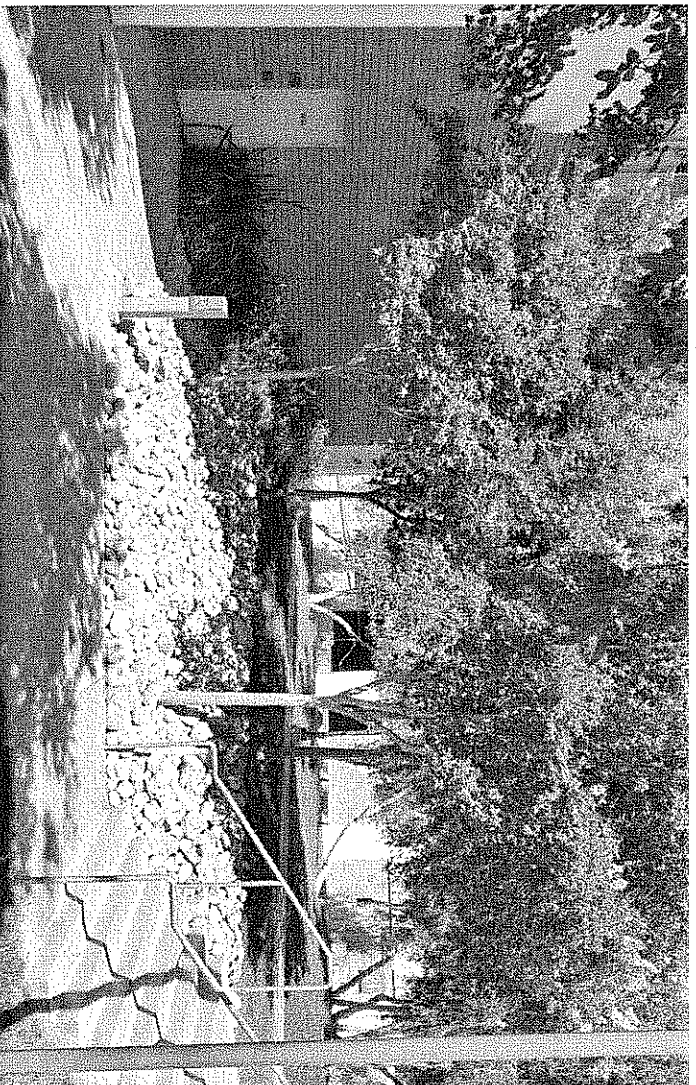
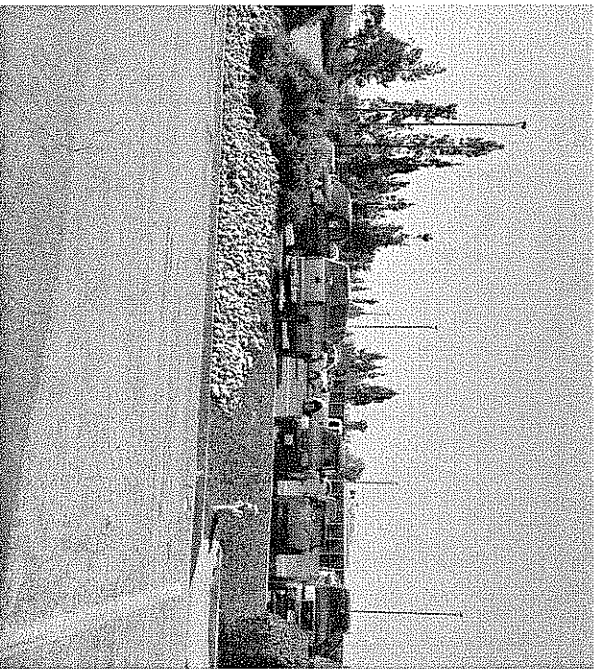


District Services Portable Trailer Project

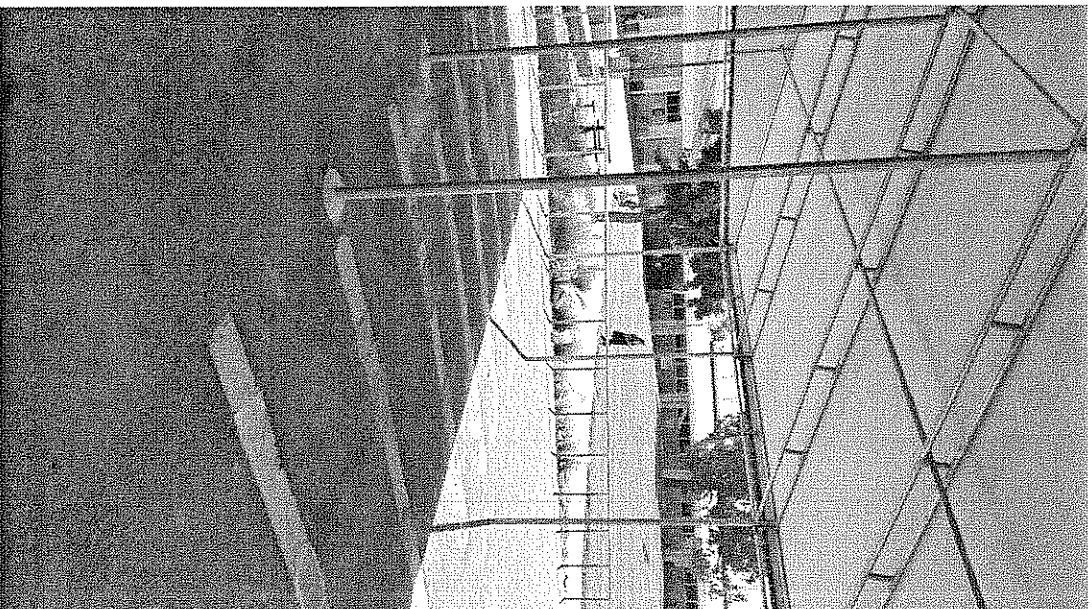
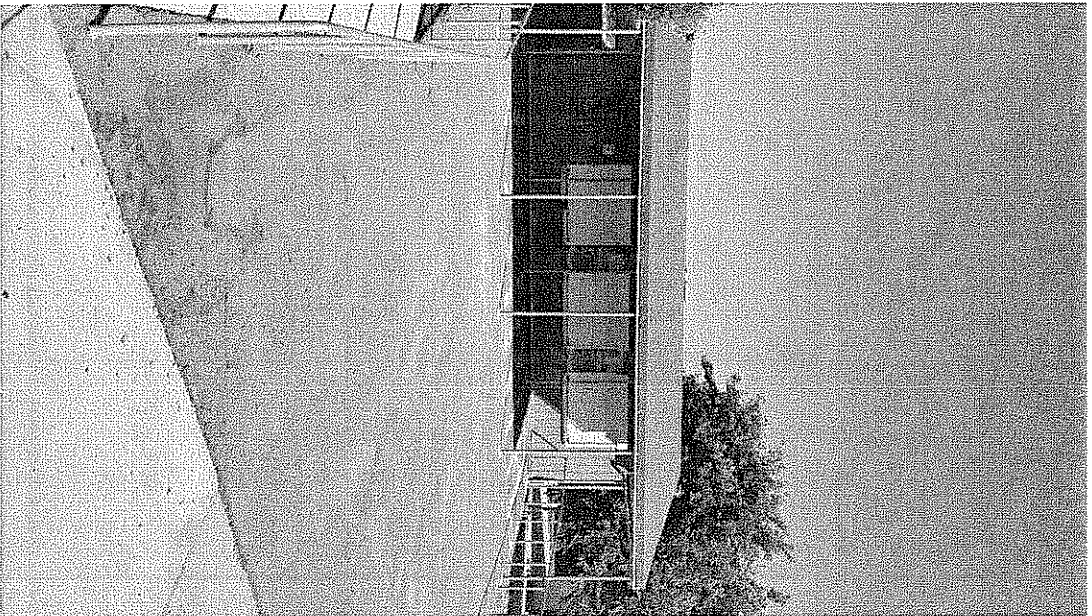
Trailer located in Lot 4



Campus Wide Relandscaping Projects



Sodexo plans to make improvements to the Temporary trailer over the next few years



Sodexo Trailer Upgrades Phase I

Remove guide rails & fill in holes

Reseal black top surface

Stripe ADA & Path of Travel

Place 2 to 3 picnic tables under awning

Place 4 to 5 picnic tables on patio area

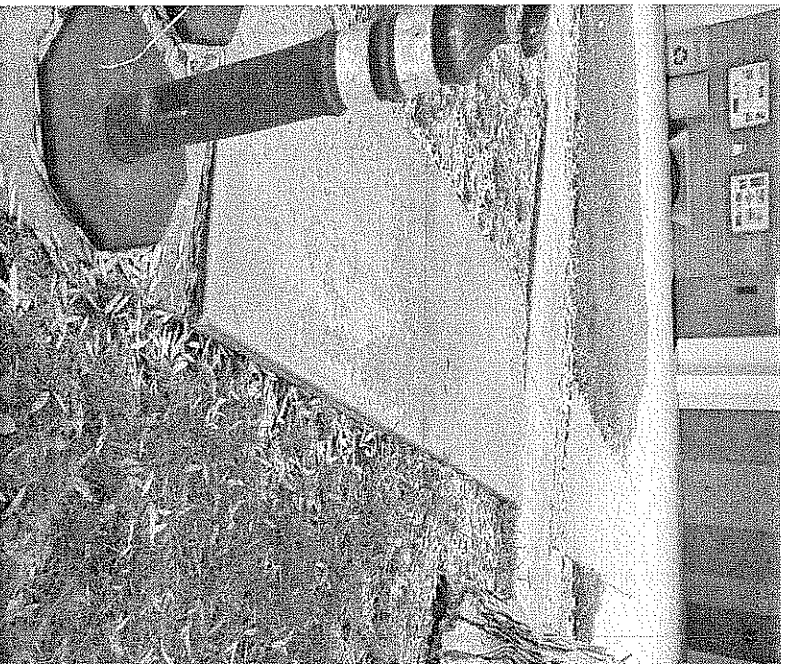
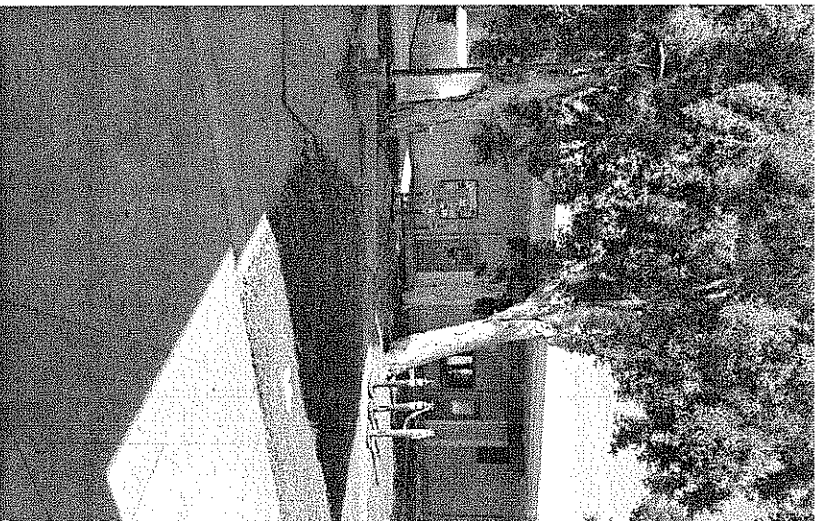
Install umbrellas at picnic tables for dining area

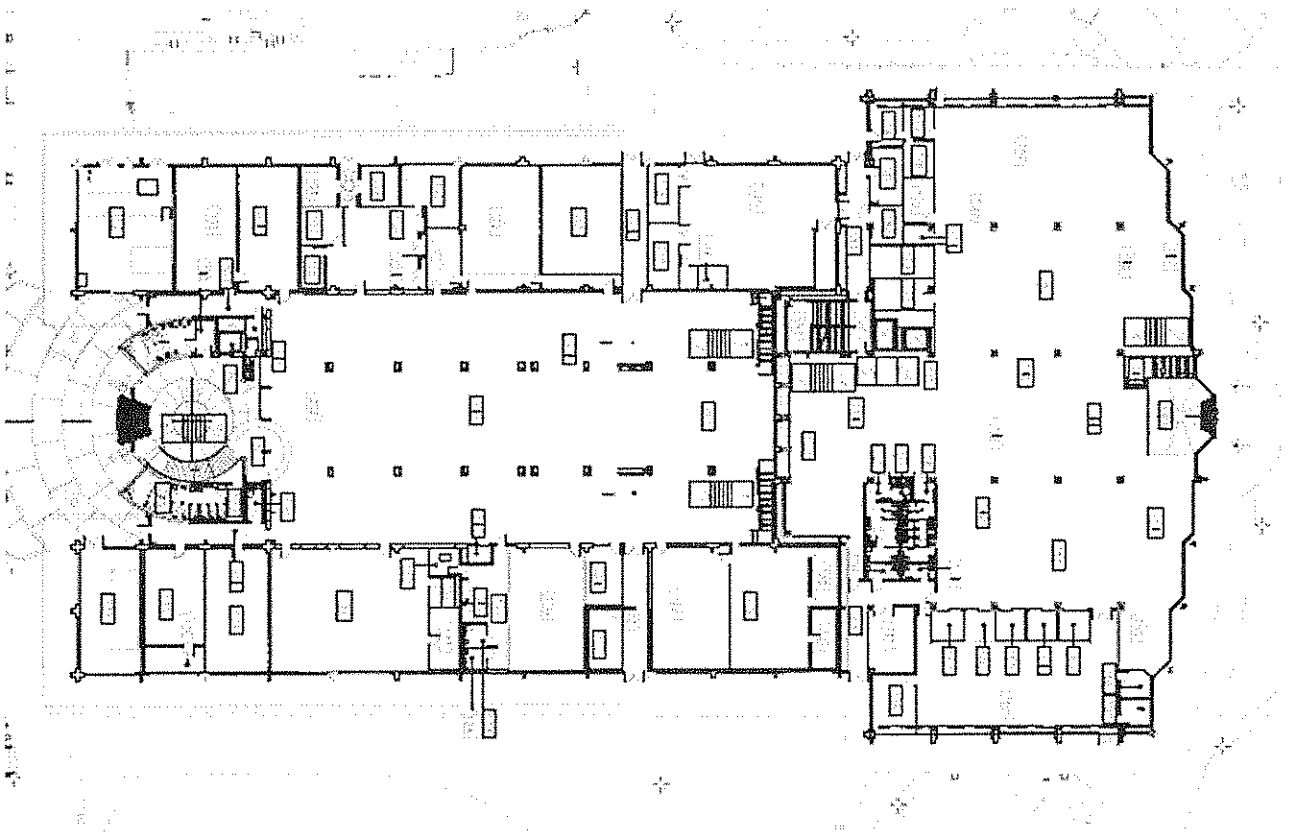
Install water mister

Install 2 landscape boxes

Hyde Gallery Plaza Improvements

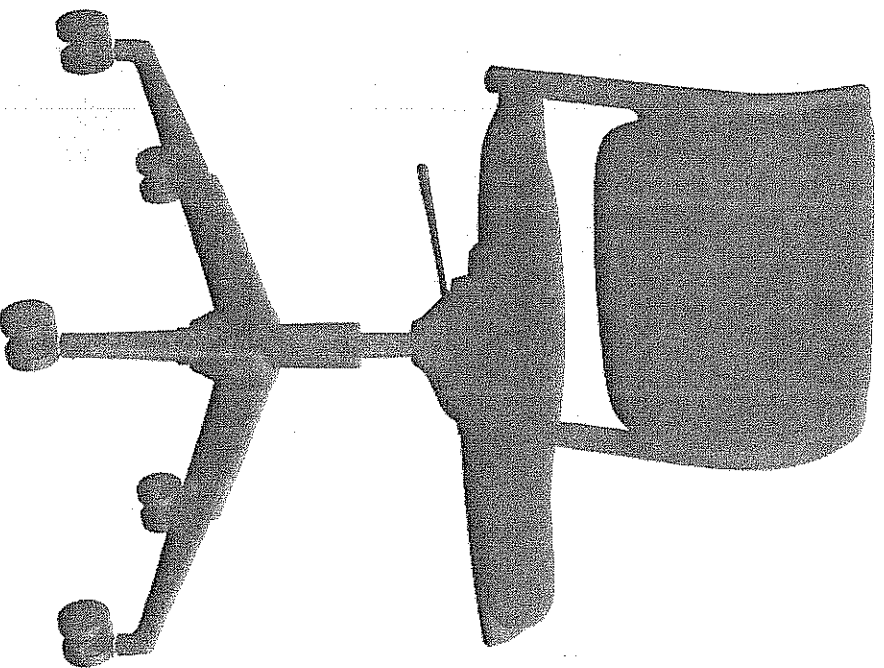
- Remove colored concrete walkway
- Grind concrete in areas where applicable
- Revise irrigation to dip system around trees
- Repair area drain inlets
- Create natural drainage swale with cobble stones
- Remove damage grass
- Install permeable decomposed granite ground cover
- Install cobble stones around existing trees



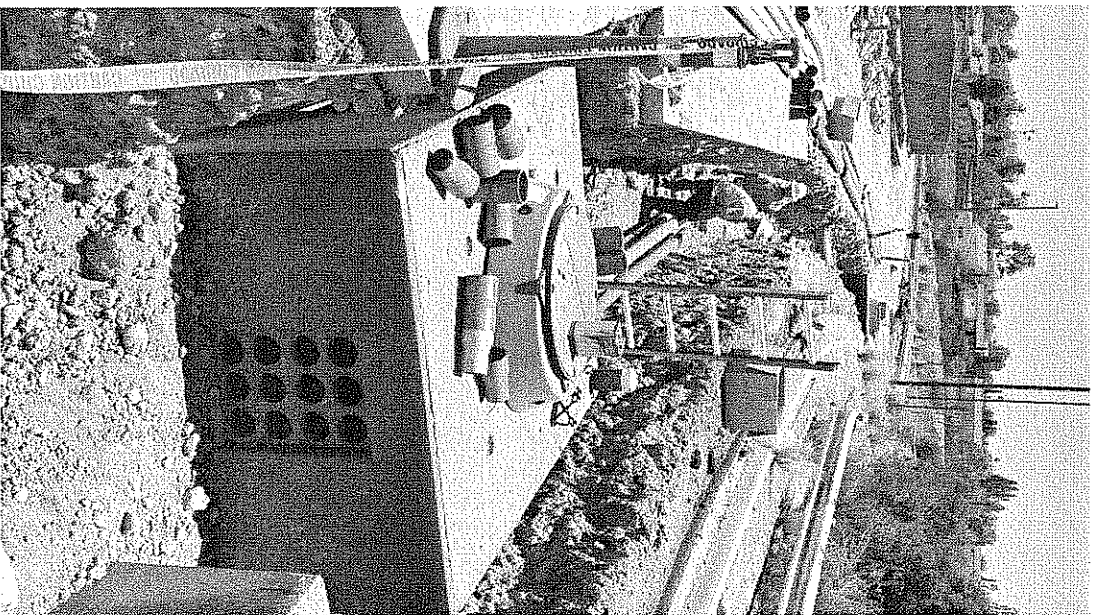
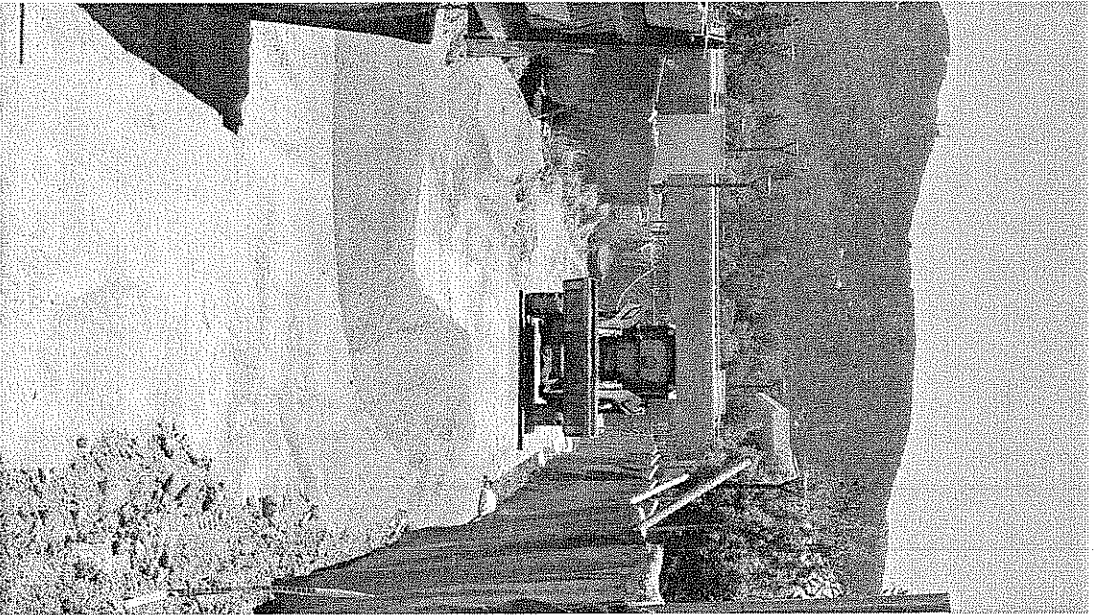
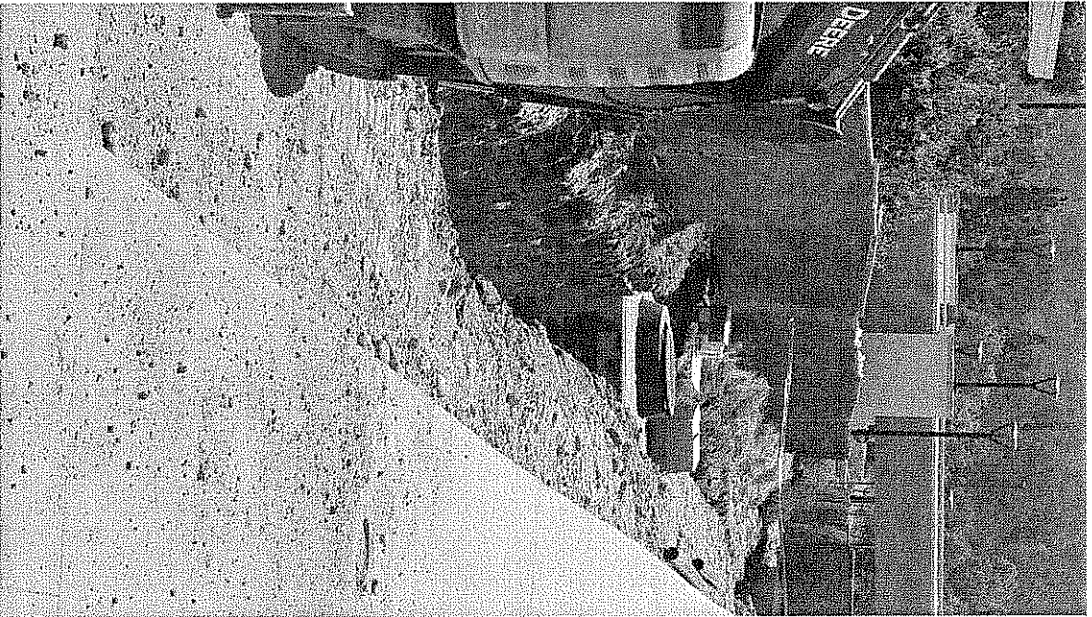


Tech Mall - Furniture Upgrades

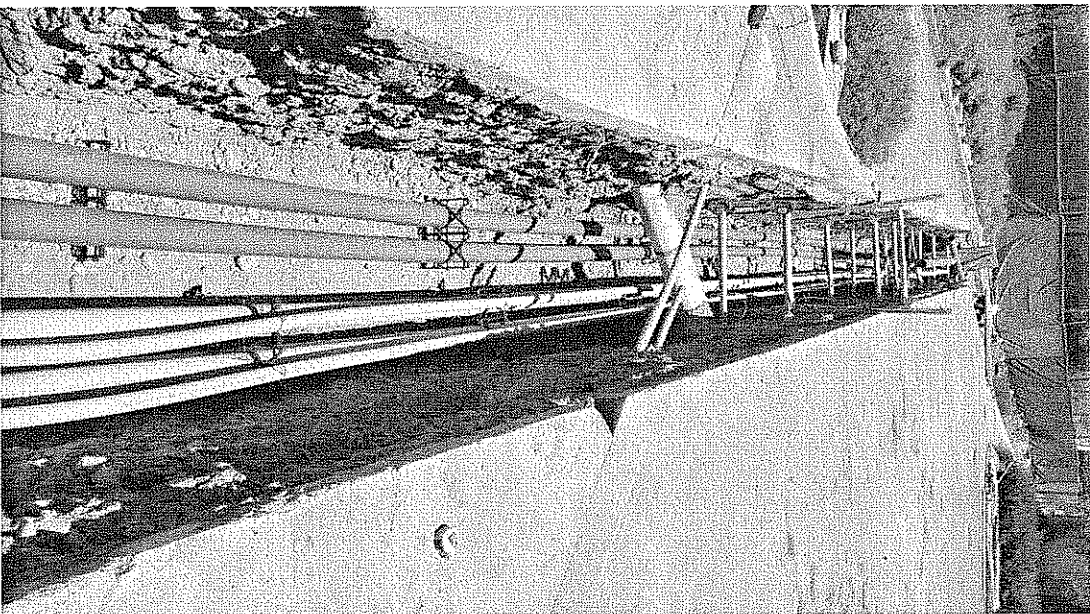
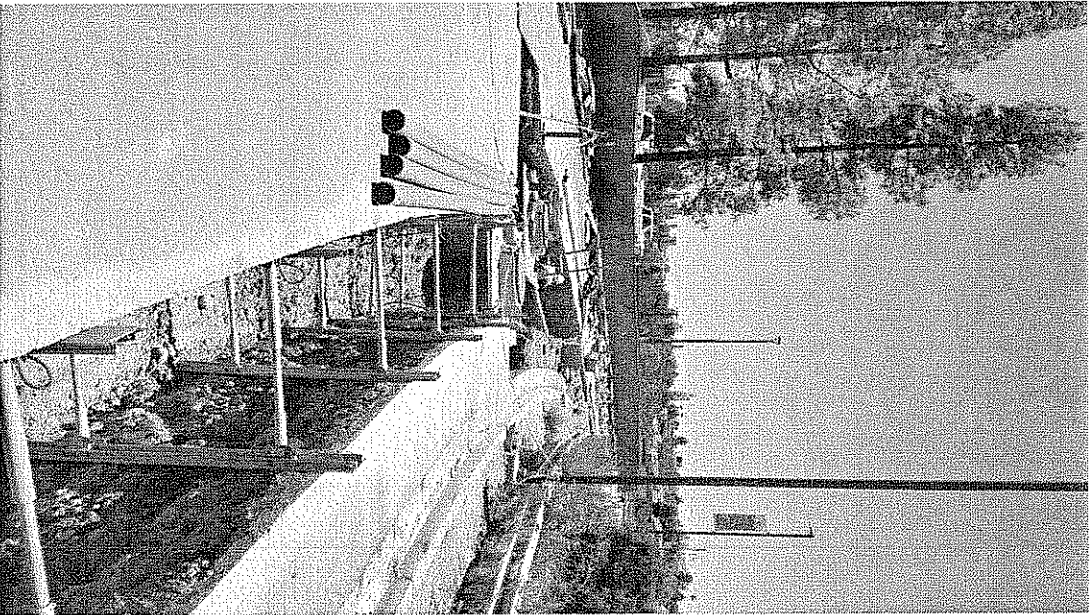
Replace 180 computer station chairs
Poly backs (plastic) and vinyl covered
seats



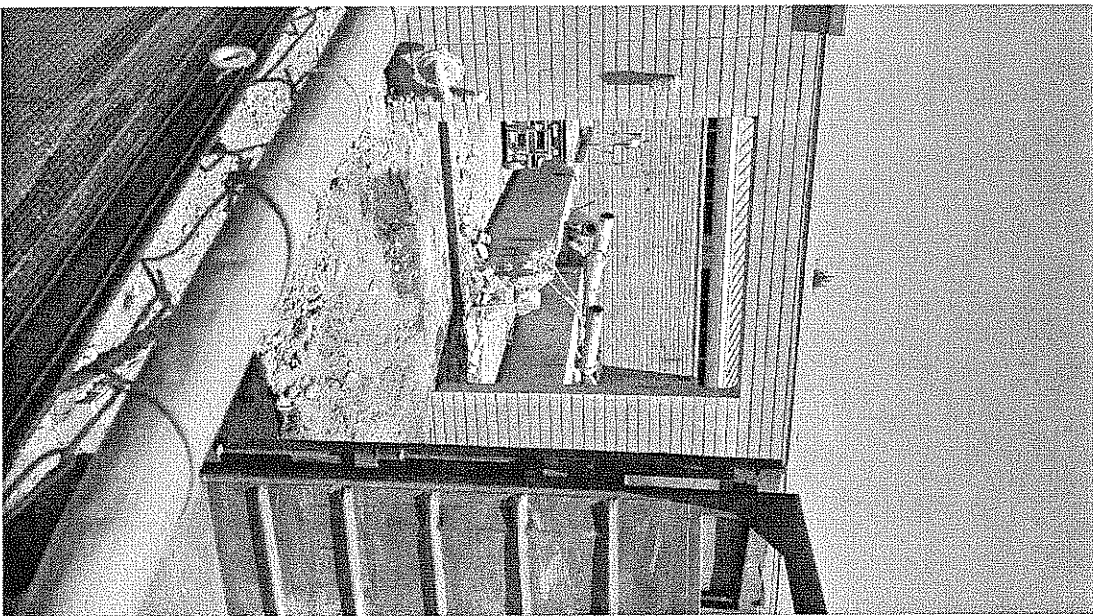
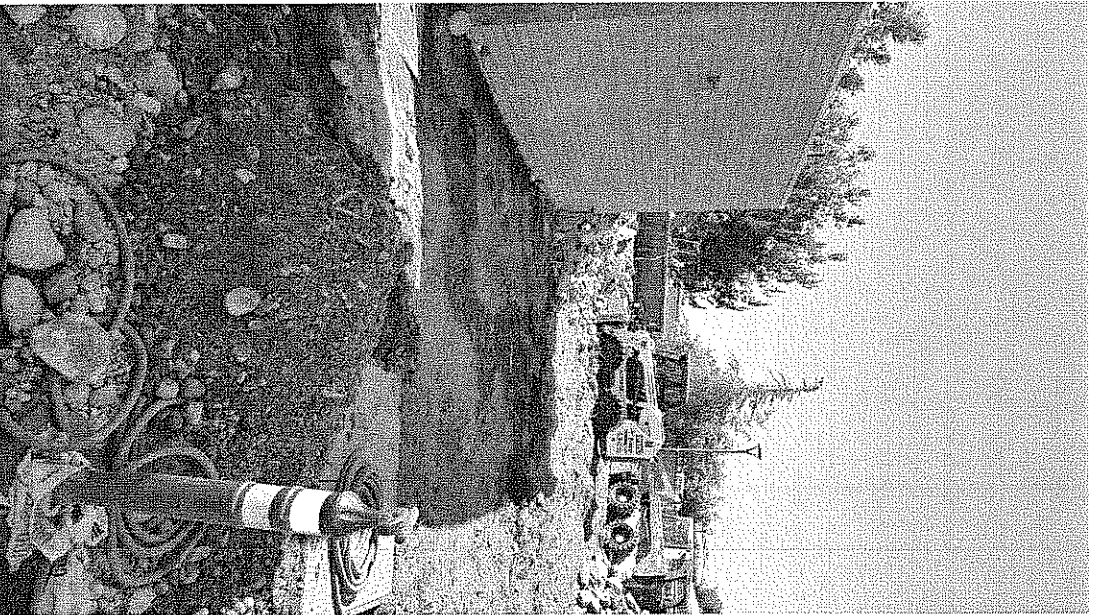
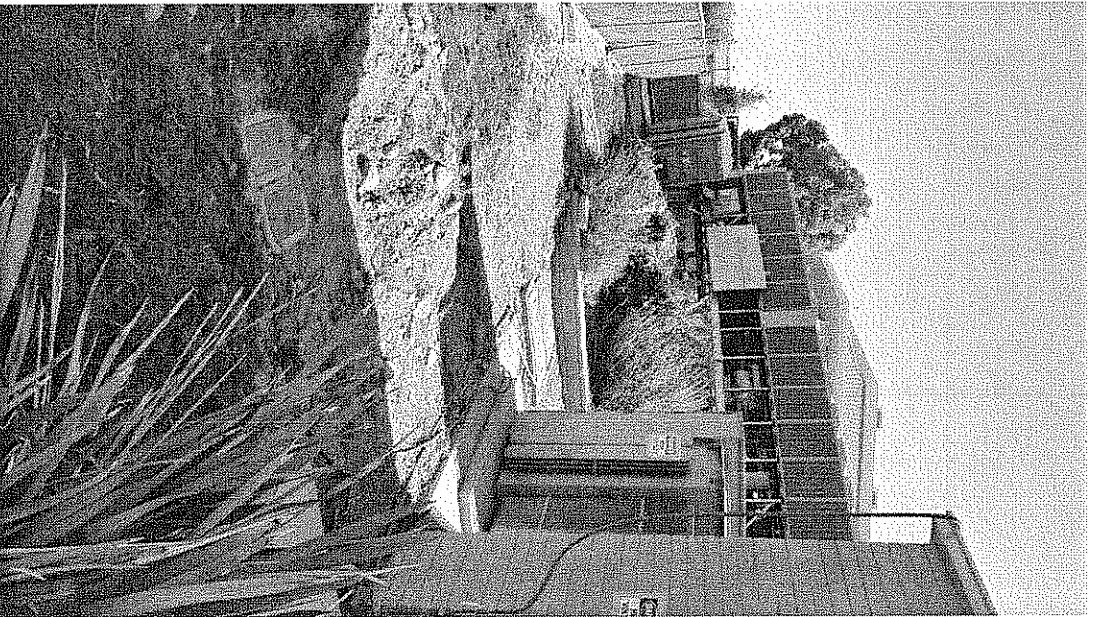
12kv Electrical Upgrades



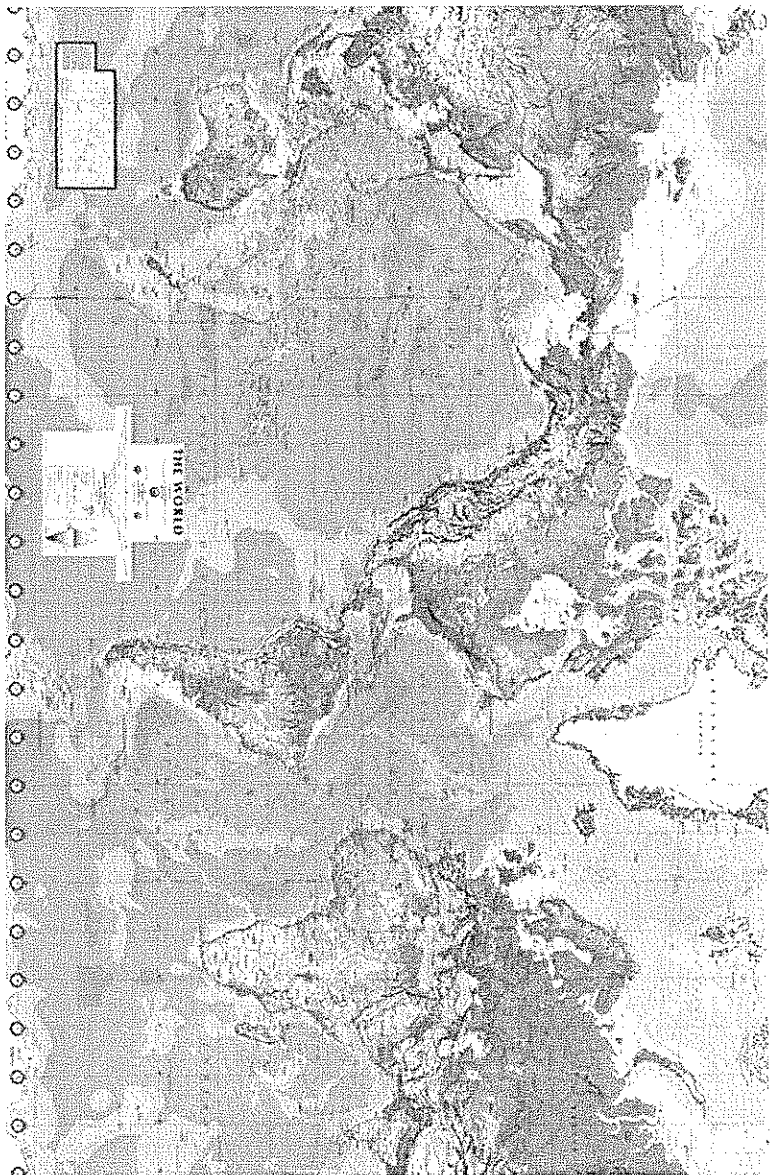
12kv Electrical Upgrades



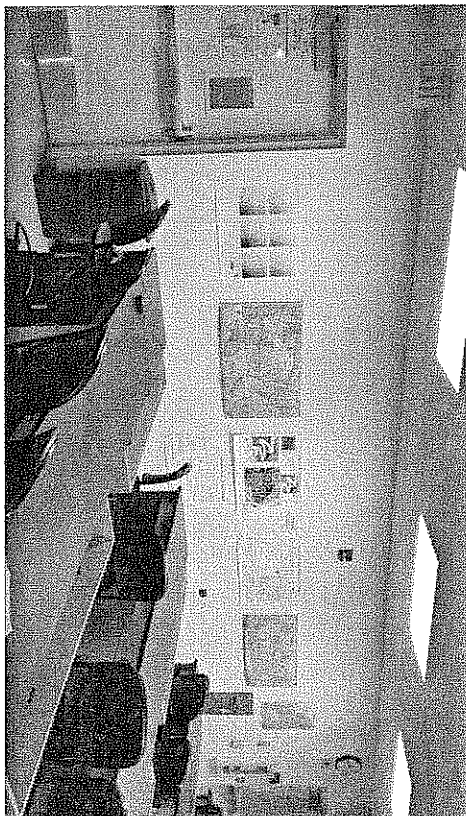
Central Chiller Plant Upgrades



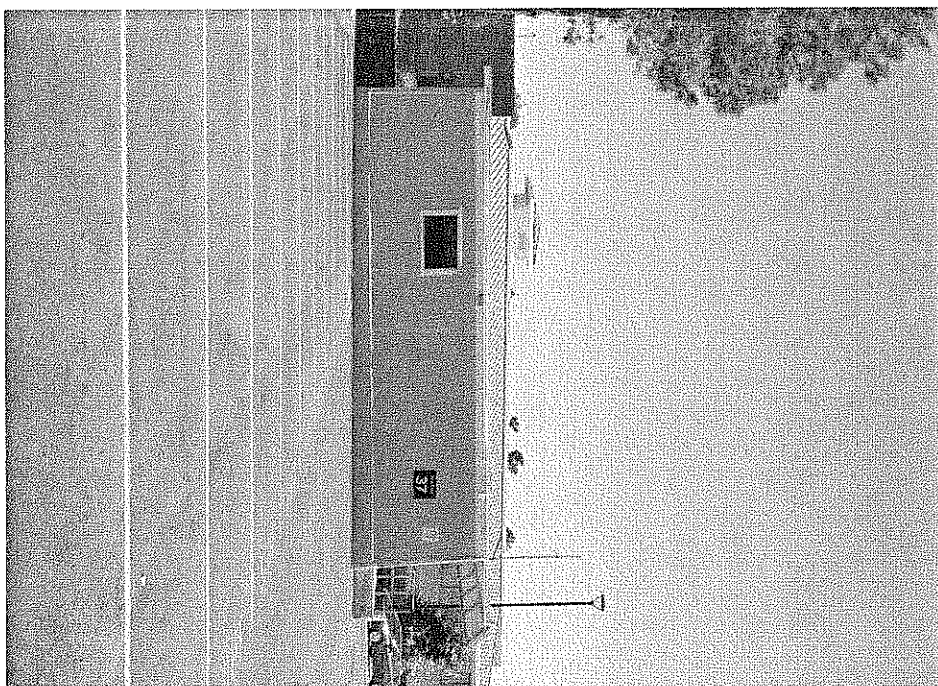
Buildings 30 & 37 World Map Project



Interior of
Classroom
#30-208



Exterior of
Building #37





GROSSMONT-CUYAMACA COMMUNITY COLLEGE DISTRICT

CAPITAL PROJECTS UPDATE – June 2016

Districtwide Energy Conservation Measures Year 3

This is Grossmont-Cuyamaca Community College District's third year of energy conservation projects funded by Proposition V, Proposition 39 and SDG&E rebates. For this year's energy projects, LED lighting will be installed at Grossmont College, including the Learning Resource Center and Tech Mall. At Cuyamaca College, the Learning Resource Center boiler and Building D heat pump will be replaced.



Grossmont College Main Chiller Addition

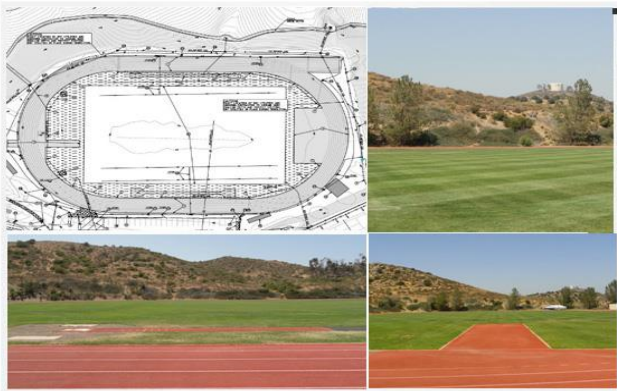
This project includes upgrading and expanding the existing central chiller plant to accommodate the increased air conditioning demand from new buildings, including the Teaching and Performance Theater and Building 36 Science, Math and Career Tech Complex. The temporary chiller plant is operational. Construction has commenced, with the partial removal of the existing facility underway.

Grossmont College 12 Kilovolts (KV) Main Service Replacement

This project includes expanding electrical service to the Arts and Communications Complex, Teaching and Performance Theater, Building 31, and Main Chiller. In addition, new data, fire alarm and security low-voltage conduits will be installed. Sections of the west side of Grossmont College Drive will be repaired and repaved. Construction is underway and anticipated to go through January 2017. The southwest perimeter road and parking lot 2 will be closed through mid-August.



Cuyamaca College Track Enhancement



The scope of work for this project includes resurfacing the existing running track, expanded event areas and adding new perimeter fencing. Also included is a modification to the existing irrigation and storm drainage systems. Consistent with the goals of the Facilities Master Plan, the project includes bioretention ponds to accommodate storm water run-off. Bioretention areas are shallow, landscaped depressions that allow run-off to pond in a designated area, and then filter through soil and vegetation. Construction is anticipated to begin in mid-August.

Cuyamaca College Exercise Science Building D Renovation

The renovation of Exercise Science Building D includes renovating the fitness center, providing an additional 50-seat classroom, reconfiguring the reception area to improve service to students and replacing flooring and equipment. In addition, the locker rooms will receive new lockers and individual shower stalls. The upgraded locker rooms will accommodate Cuyamaca Athletics as well as the visiting teams. This project has been bid with construction anticipated to begin in July.



Cuyamaca College Ornamental Horticulture Complex



The Ornamental Horticulture Complex will provide classrooms, greenhouses, outdoor instructional spaces, storage buildings, and a retail area. Consistent with the Facilities Master Plan, this project also includes improvements to Building L to accommodate the college's Water/Wastewater Management Program. Schematic design is underway, with the overall design process to complete by December 2016.

Cuyamaca College Student Services Building

This project includes the construction of a Student Services facility with a Veteran Support Center. In line with the Facilities Master Plan, the Student Services Building will be the new gateway entry to Cuyamaca College. The project architect (HMC) has conducted meetings with Cuyamaca Student Services' stakeholders to discuss the vision of the building, project goals, and departmental functions, which will complete the programming phase.

Grossmont College Science, Math and Career Tech Complex

This project includes the renovation of Building 31 and replacement of Building 36. Design is underway with the schematic design phase anticipated for completion by mid-July. As part of this phase, the design team is creating the conceptual layout, including common area locations, space configuration, and campus location. Once schematic design is complete, the project will move forward with design development. Construction is scheduled to begin during the winter of 2018.



Grossmont College Arts & Communication Complex – Teaching & Performance Theater

The Performing Arts Complex at Grossmont College will include a new 350-seat theater, with a full stage, orchestra pit and balcony. This project has been submitted to the Division of the State Architect (DSA) for approval.

Sue Rearic

Vice Chancellor – Business Services